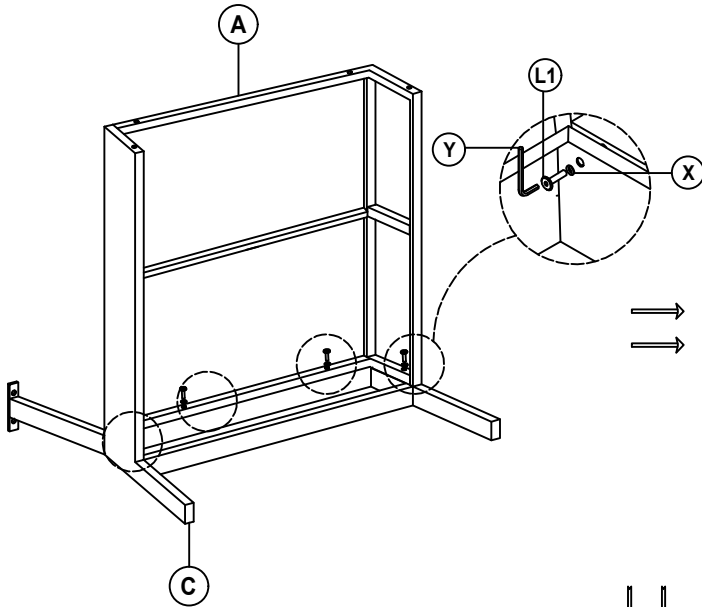
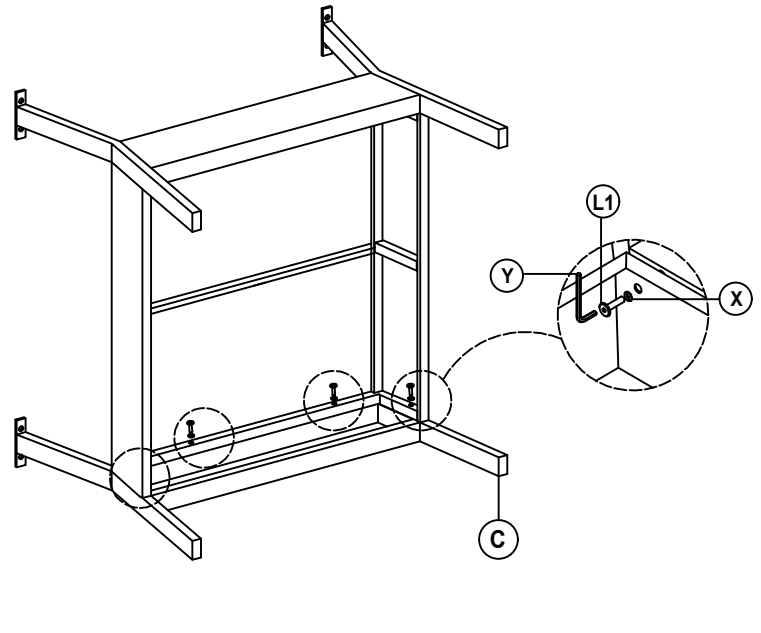


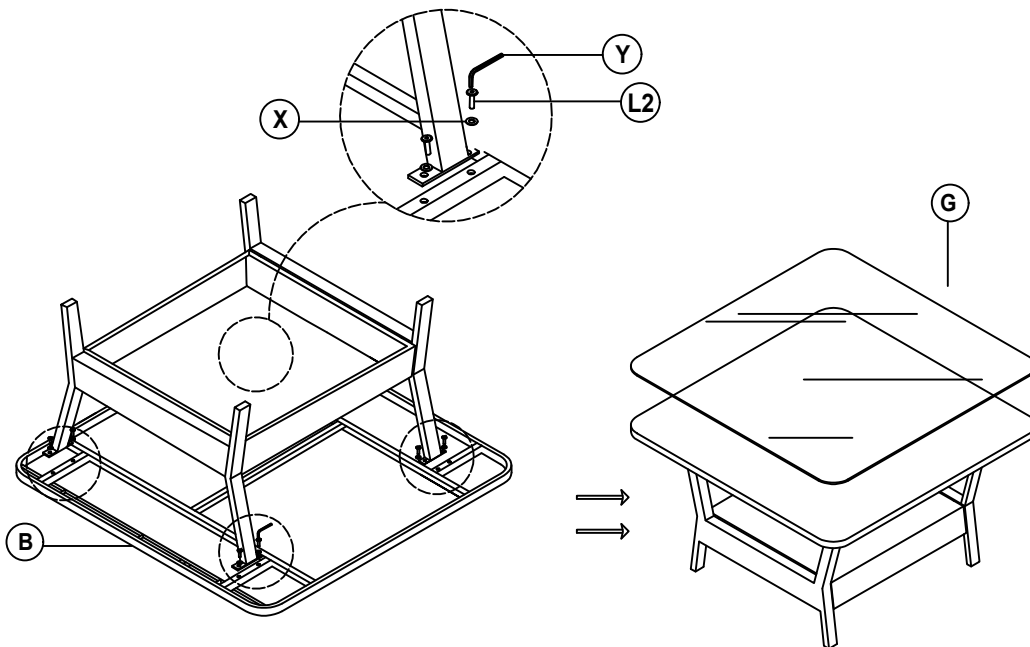
Step 1



Step 2











Step 3



IMPORTANT NOTE:

Do not tighten all screws/bolts until all completely assembled.
Thank you.

No.	Item	Detail	Quantity
1	X		x16
2	Z		x1
3	L1	 M6x45mm	x8
4	L2	 M6x20mm	x8
5	A		x1
6	B		x1
7	C		x2
8	G		x1