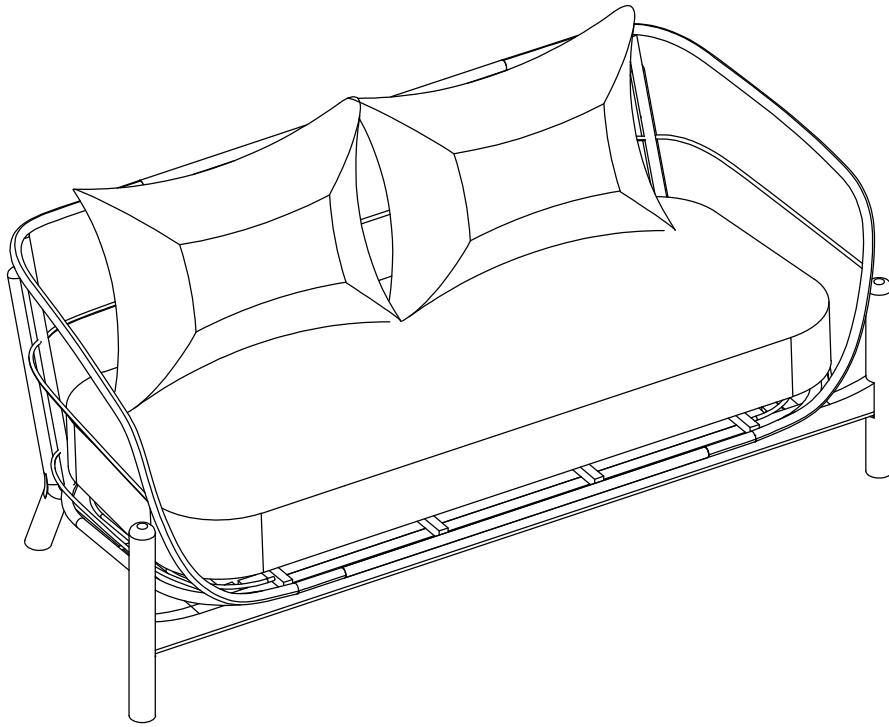
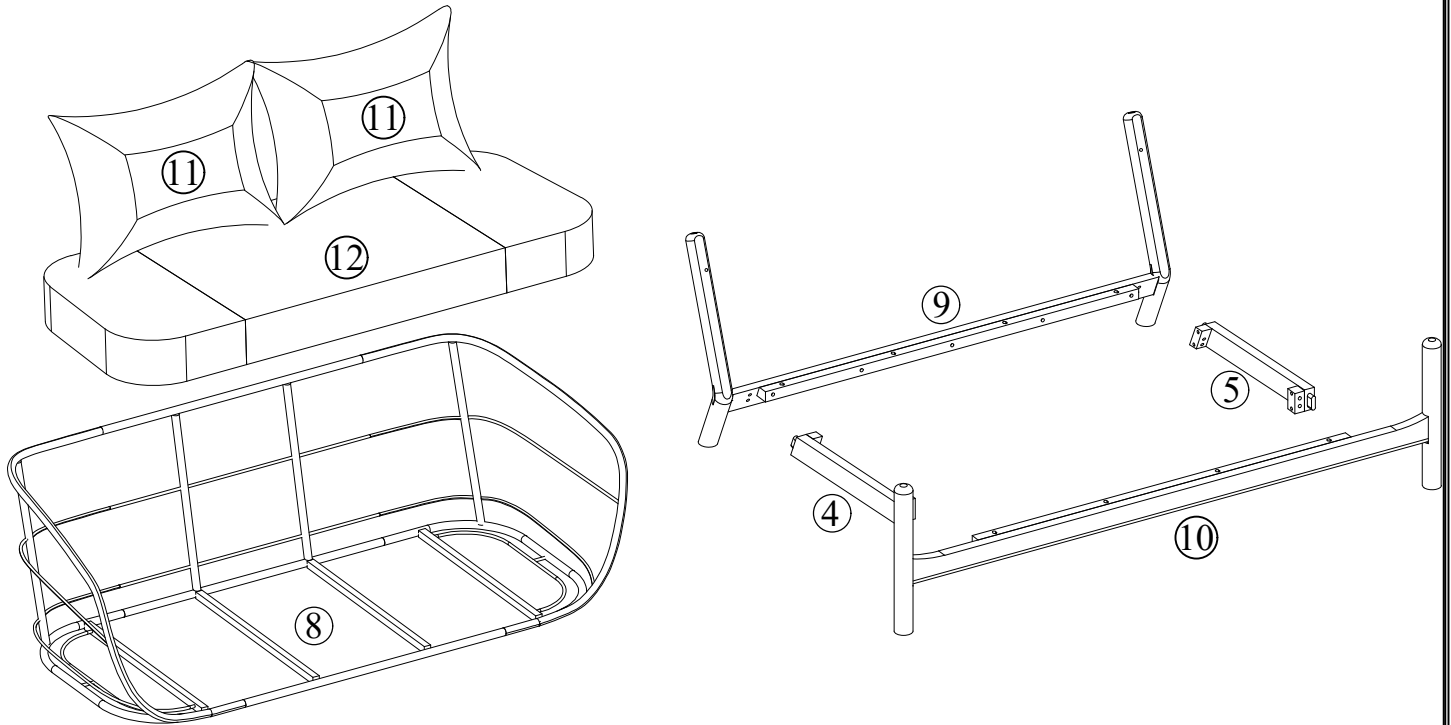








ASSEMBLY INSTRUCTIONS

552628

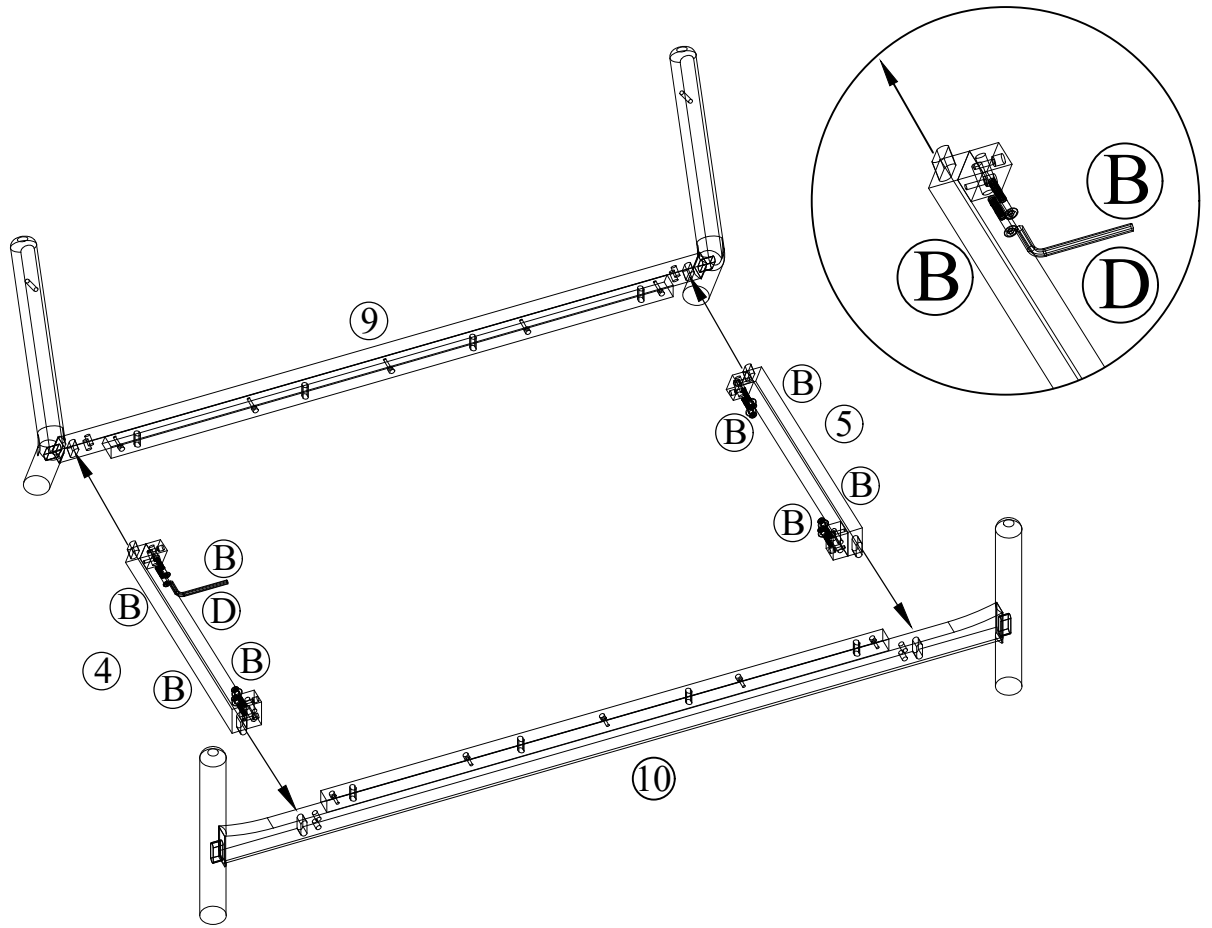


PARTLIST AND HARDWARE



					
	6X65X13mm		6X50X13mm	Washer 6.5X18X2mm	4X60mm
(A)	2 PCS	(B)	16 PCS	(C)	8 PCS
				(D)	1 PCE

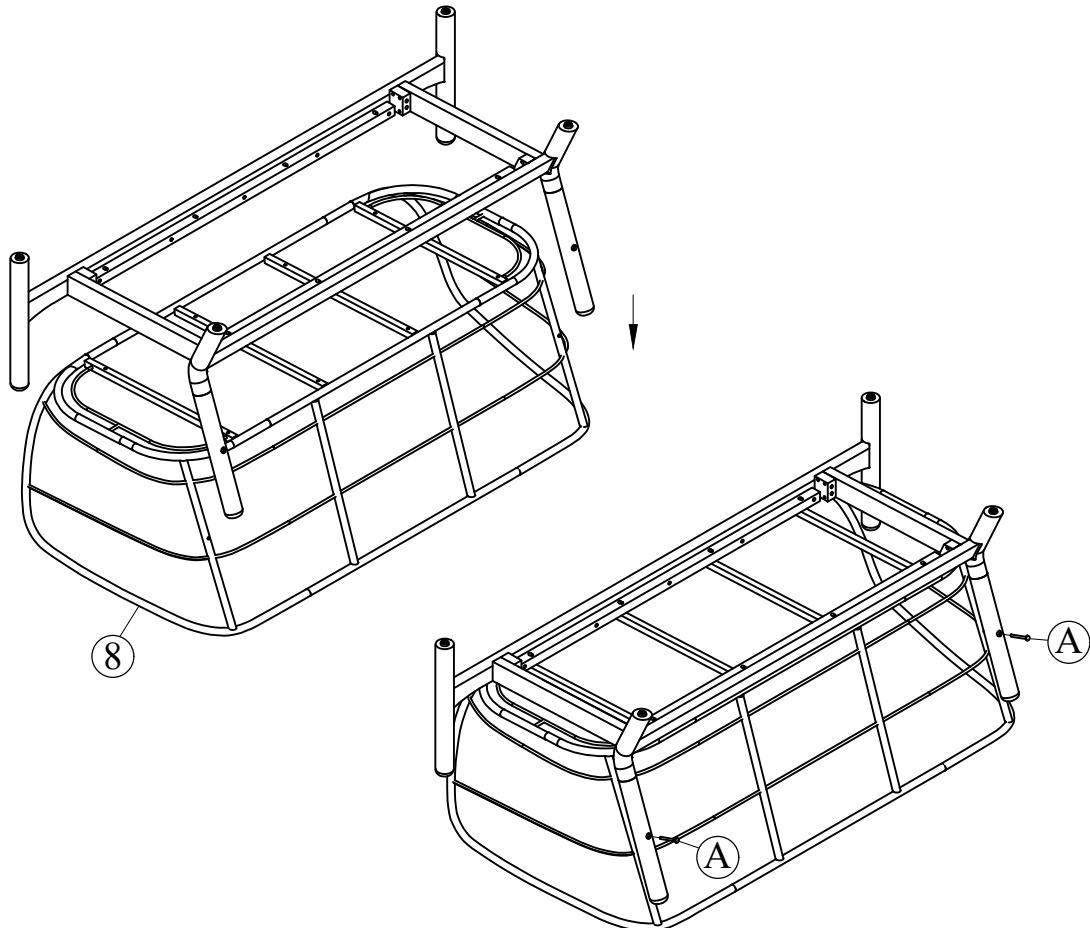
STEP 1



IMPORTANT NOTE:

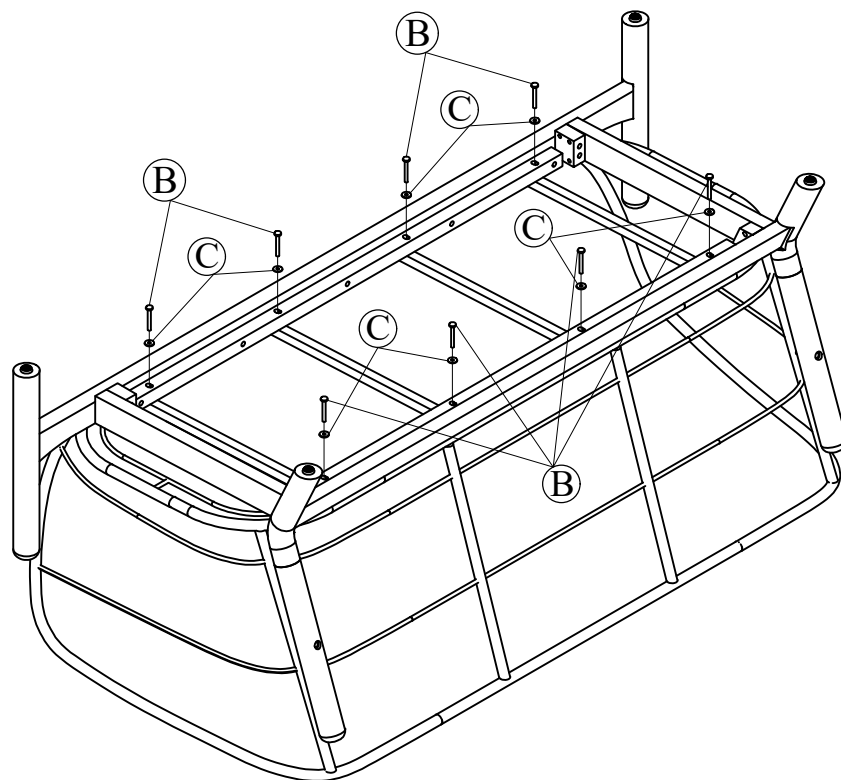
Do not tighten all screws/bolts until all completely assembled.
Thank you.

STEP 2



Do not tighten all screws/bolts until all completely assembled.
Thank you.

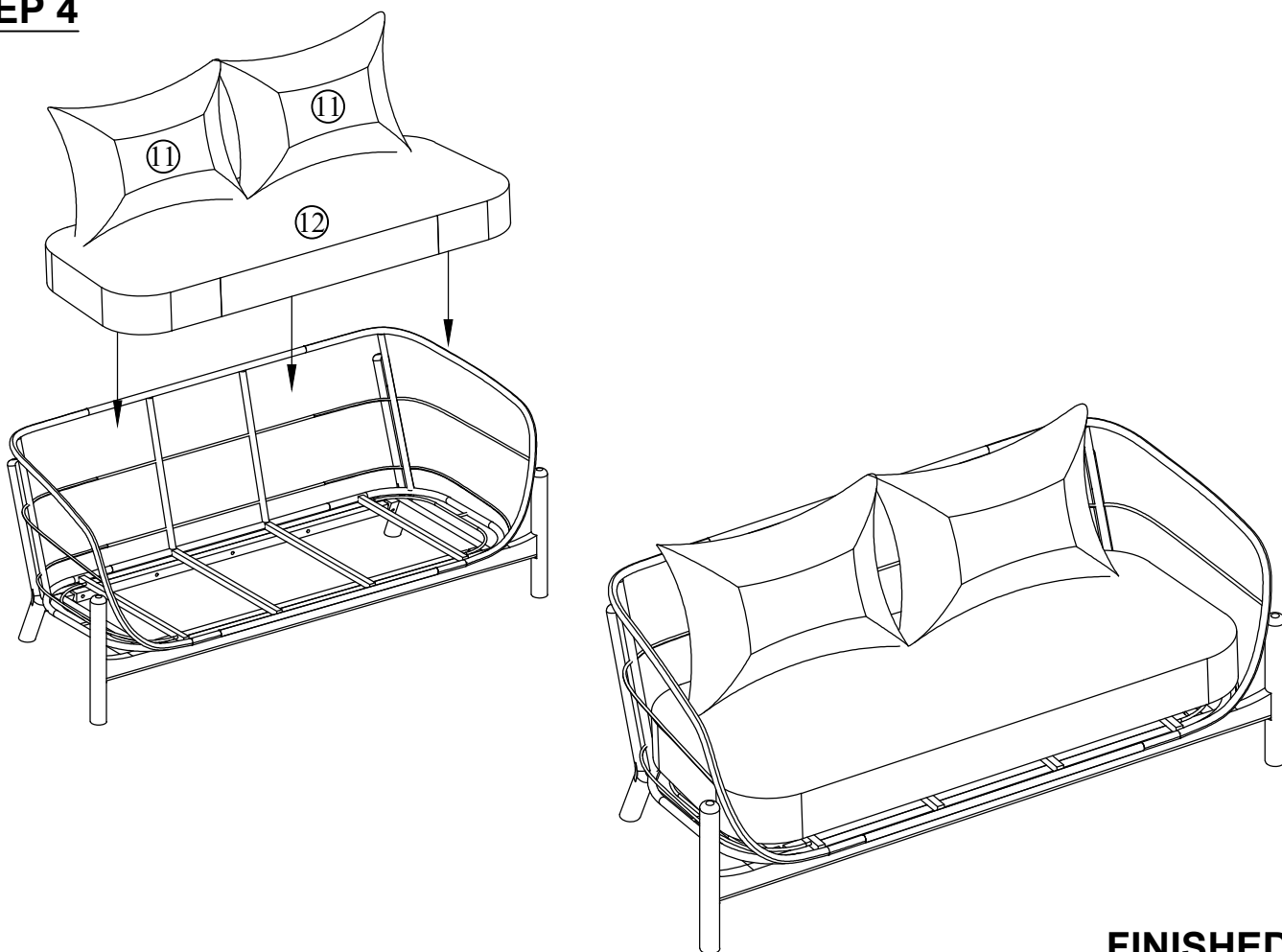
STEP 3



IMPORTANT NOTE:

Do not tighten all screws/bolts until all completely assembled.
Thank you.

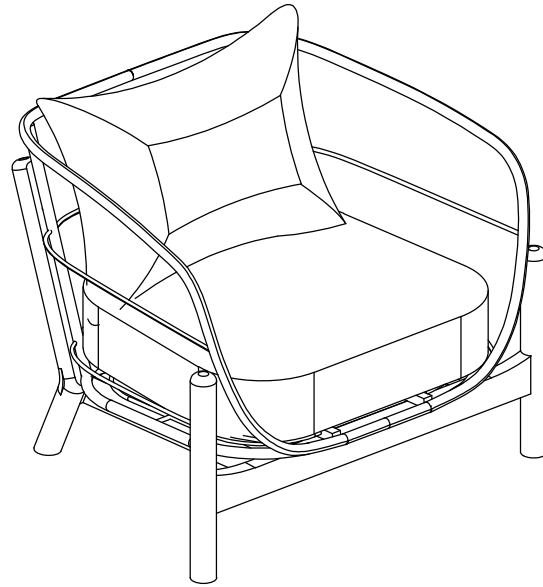
STEP 4



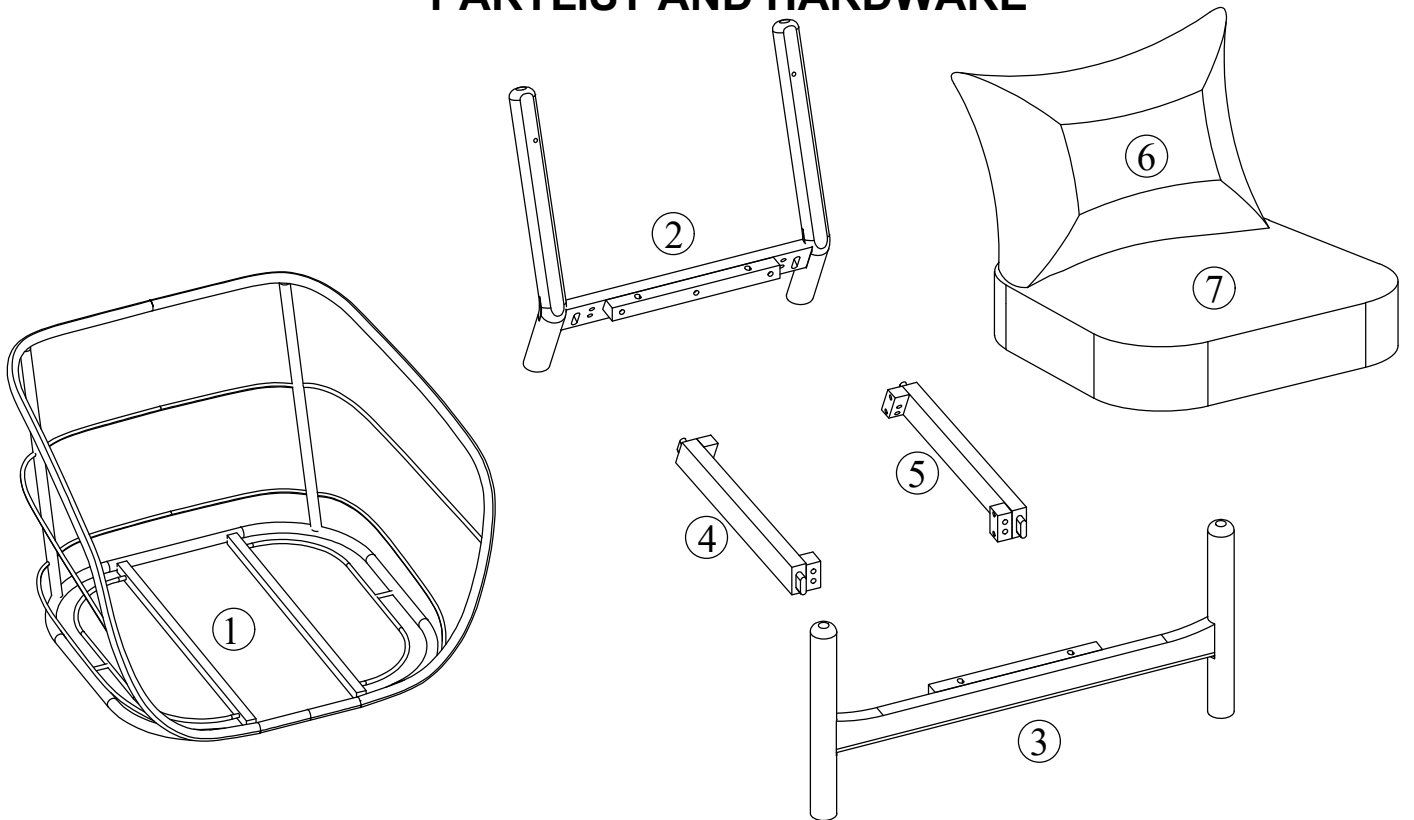
FINISHED






ASSEMBLY INSTRUCTIONS

552628

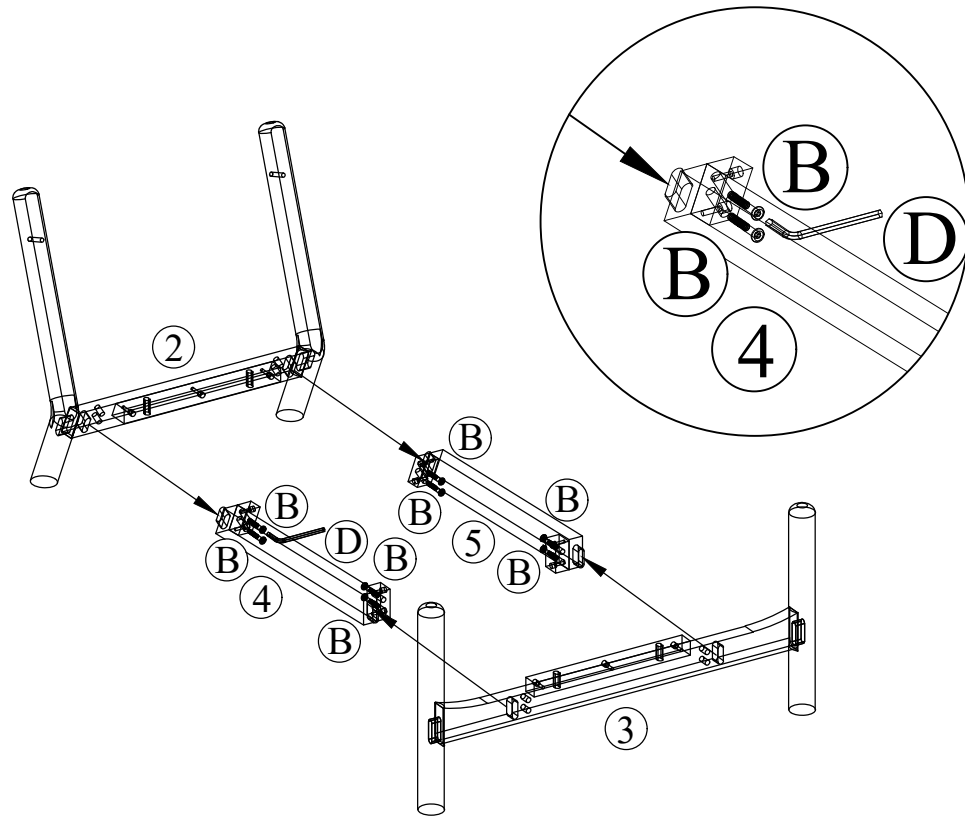


PARTLIST AND HARDWARE



							
	6X65X13mm	6X50X13mm	Washer 6.5X18X2mm	4X60mm			
(A)	2 PCS	(B)	12 PCS	(C)	4 PCS	(D)	1 PCE

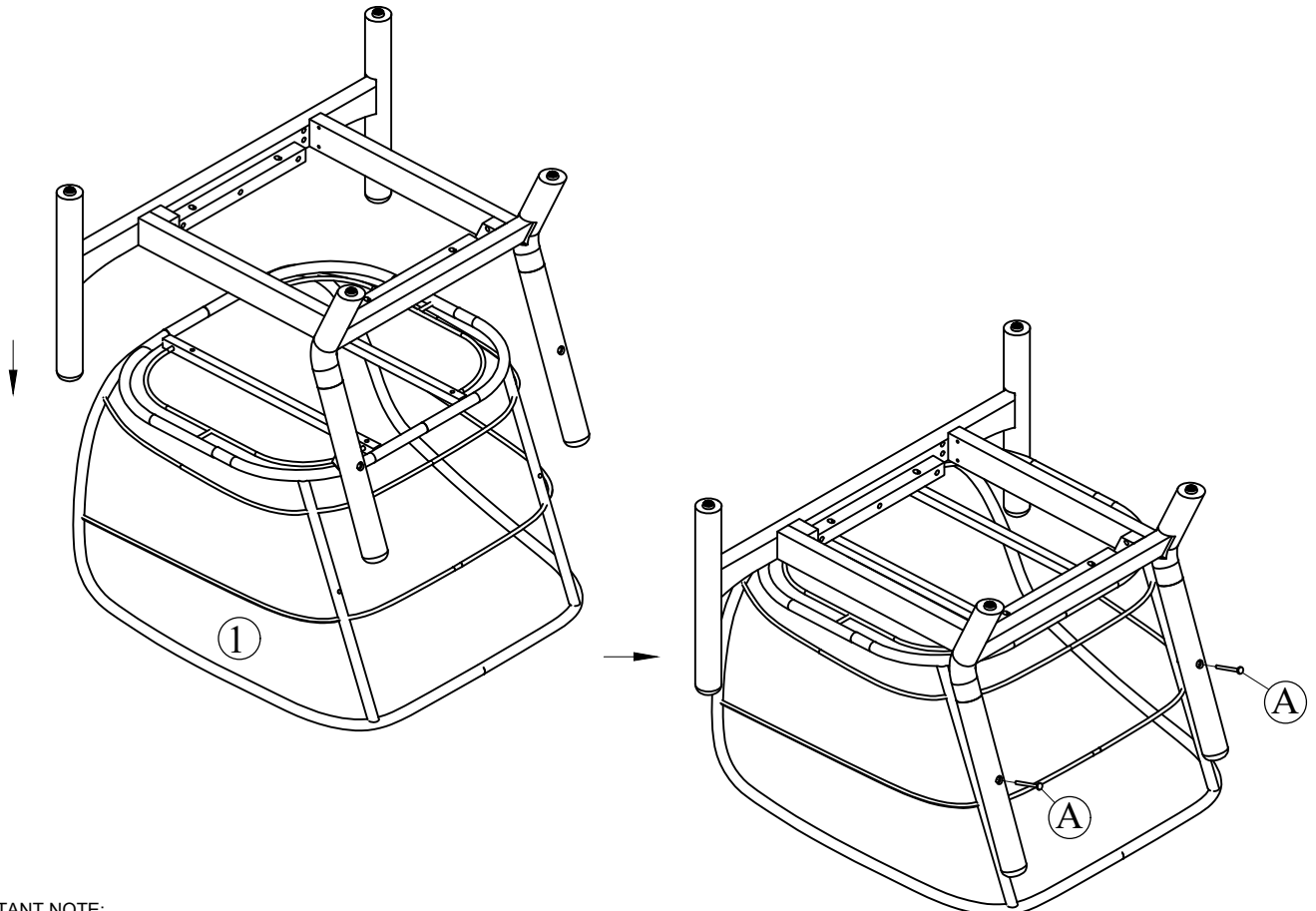
STEP 1



IMPORTANT NOTE:

Do not tighten all screws/bolts until all completely assembled.
Thank you.

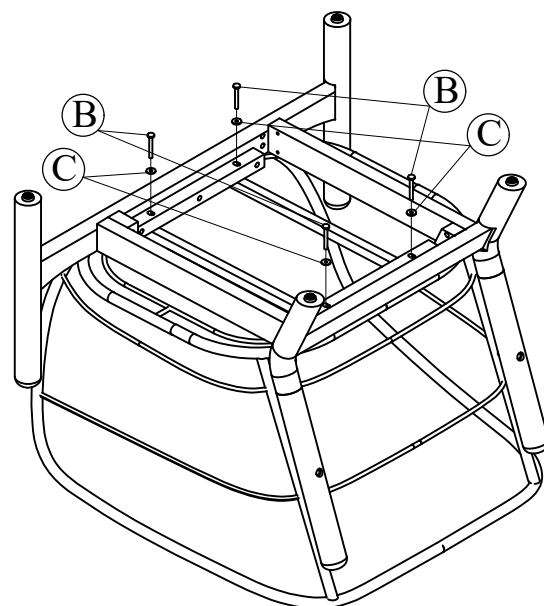
STEP 2



IMPORTANT NOTE:

Do not tighten all screws/bolts until all completely assembled.
Thank you.

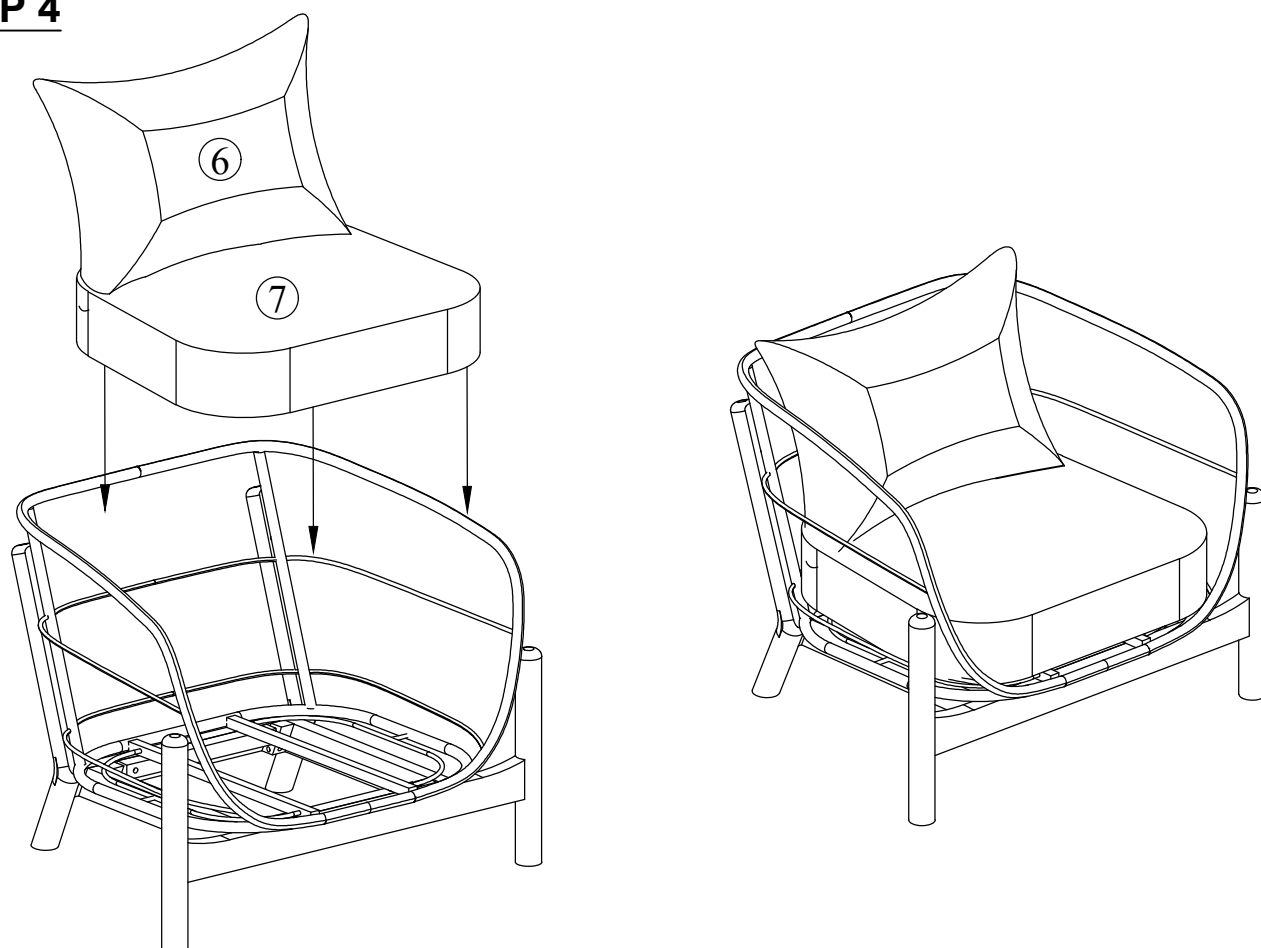
STEP 3



IMPORTANT NOTE:

Do not tighten all screws/bolts until all completely assembled.
Thank you.

STEP 4



FINISHED